

Patch Antenna

Specification

**Type
Series**

GPS Circular

PA1575MZ50I4G-xx-xxx

PA1575MZ50I4G-xx-SMD

PA1575MZ50I2G-xx-xxx

PA1575MZ50J4G-xx-xxx

PA1575MZ50J4G-xx-SMD

PA1575MZ50J2G-xx-xxx

PA1575MZ50S4G-xx-xxx

PA1575MZ50K4G-xx-xxx

PA1575MZ50Q4G-xx-xxx

PA1575MZ50R4G-xx-xxx

PA1575MQ4S-xxx-xxx

| | | |
|--------------|----------------------|----------------------|
| Product name | PA1575MZ50I4G-xx-xxx | PA1575MZ50I4G-xx-SMD |
|--------------|----------------------|----------------------|

Appearance



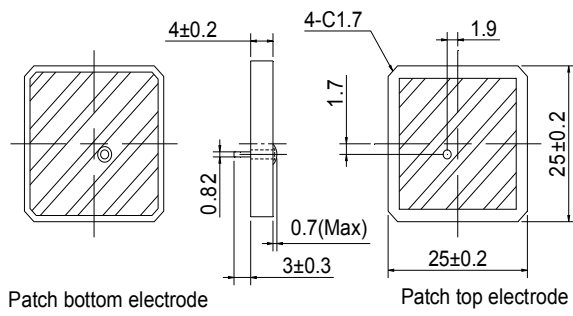
Specification

| | | |
|------------------------|----------|----------|
| Center Frequency (MHz) | 1580±3 | 1580±3 |
| Bandwidth (MHz) | 10.0 min | 9.0 min |
| Gain at Zenith (dBic) | 5.0 typ. | 4.5 typ. |
| Polarization | R.H.C.P. | R.H.C.P. |
| Impedance(Ω) | 50 typ. | 50 typ. |
| Axial Ratio (dB) | ≤ 3 | ≤ 3 |

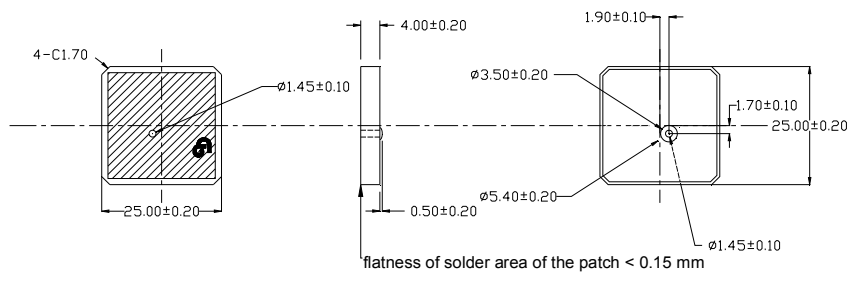
| | | |
|----------------|---------------------------|---------------------------|
| Test Condition | 70 mm Square Ground Plane | 50 mm Square Ground Plane |
|----------------|---------------------------|---------------------------|

| | | |
|----------------|----------------|----------------|
| Dimension (mm) | a. 25 x 25 x 4 | b. 25 x 25 x 4 |
|----------------|----------------|----------------|

a



b



Product name

PA1575MZ50I2G-xx-xxx

PA1575MZ50I4G-xx-xxx

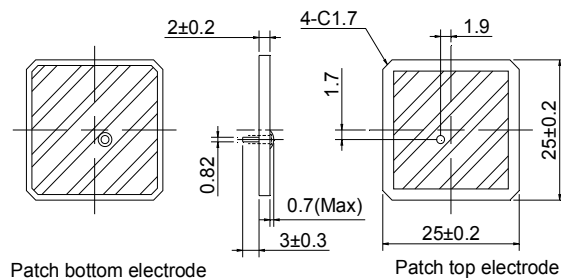
Appearance



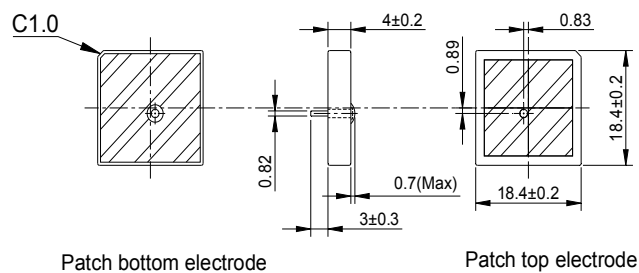
Specification

| | | |
|------------------------|---------------------------|---------------------------|
| Center Frequency (MHz) | 1580±2 | 1580±2 |
| Bandwidth (MHz) | 9.0 min | 9.0 min |
| Gain at Zenith (dBic) | 4.5 typ. | 2.5 typ. |
| Polarization | R.H.C.P. | R.H.C.P. |
| Impedance(Ω) | 50 typ. | 50 typ. |
| Axial Ratio (dB) | ≤ 3 | ≤ 3 |
| Test Condition | 70 mm Square Ground Plane | 50 mm Square Ground Plane |
| Dimension (mm) | a. 25 x 25 x 2 | b. 18.4 x 18.4 x 4 |

a



b



Product name

PA1575MZ50J4G-xx-SMD

PA1575MZ50J2G-xx-xxx

Appearance



Specification

| | | |
|------------------------|----------|----------|
| Center Frequency (MHz) | 1580±2 | 1580±2 |
| Bandwidth (MHz) | 9.0 min | 7.0 min |
| Gain at Zenith (dBic) | 2.5 typ. | 1.0 typ. |
| Polarization | R.H.C.P. | R.H.C.P. |
| Impedance(Ω) | 50 typ. | 50 typ. |
| Axial Ratio (dB) | ≤ 3 | ≤ 3 |

Test Condition

50 mm Square Ground Plane

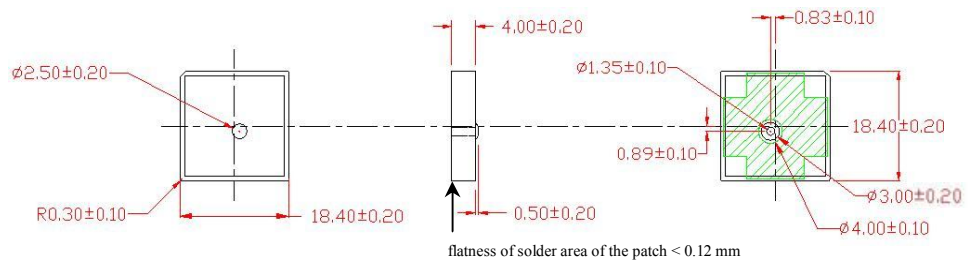
50 mm Square Ground Plane

Dimension (mm)

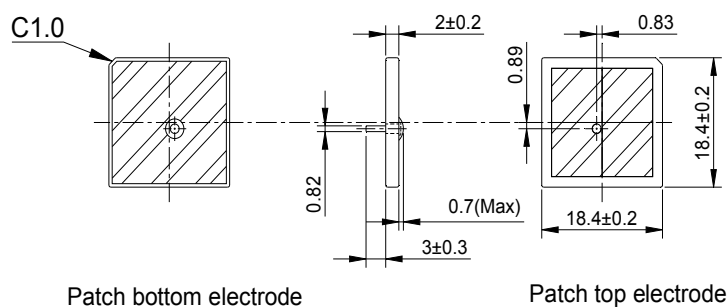
a. 18.4 x18.4 x 4

b. 18.4 x18.4 x 2

a



b



Product name

PA1575MZ50S4G-xx-xxx

PA1575MZ50K4G-xx-xxx

Appearance

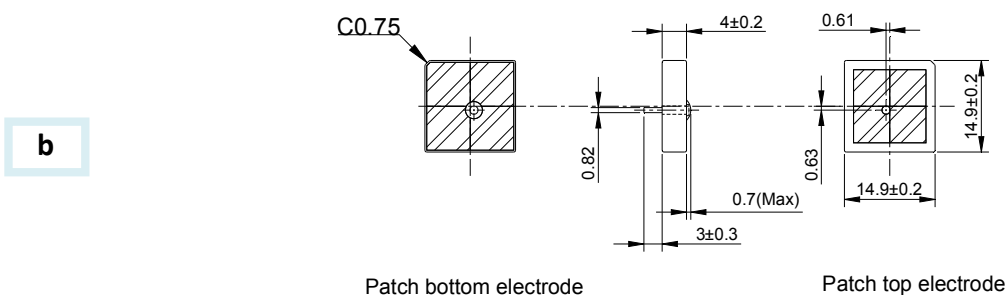
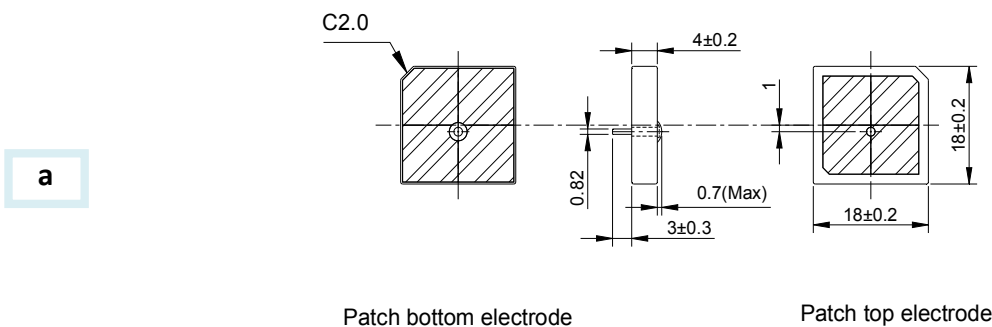


Specification

| | | |
|------------------------|----------|----------|
| Center Frequency (MHz) | 1580±2 | 1580±1.5 |
| Bandwidth (MHz) | 8.0 min | 6.0 min |
| Gain at Zenith (dBic) | 2.5 typ. | 2.0 typ. |
| Polarization | R.H.C.P. | R.H.C.P. |
| Impedance(Ω) | 50 typ. | 50 typ. |
| Axial Ratio (dB) | ≤ 3 | ≤ 3 |

Test Condition 50 mm Square Ground Plane 40 mm Square Ground Plane

Dimension (mm) a. 18 x 18 x 4 b. 15 x 15 x 4



Product name

PA1575MZ50Q4G-xx-xxx

PA1575MZ50R4G-xx-xxx

Appearance



Specification

| | | |
|------------------------|------------|-----------|
| Center Frequency (MHz) | 1580±1.5 | 1580±1.5 |
| Bandwidth (MHz) | 6.0 min | 6.0 min |
| Gain at Zenith (dBic) | -0.05 typ. | -1.5 typ. |
| Polarization | R.H.C.P. | R.H.C.P. |
| Impedance(Ω) | 50 typ. | 50 typ. |
| Axial Ratio (dB) | ≤ 3 | ≤ 3 |

Test Condition

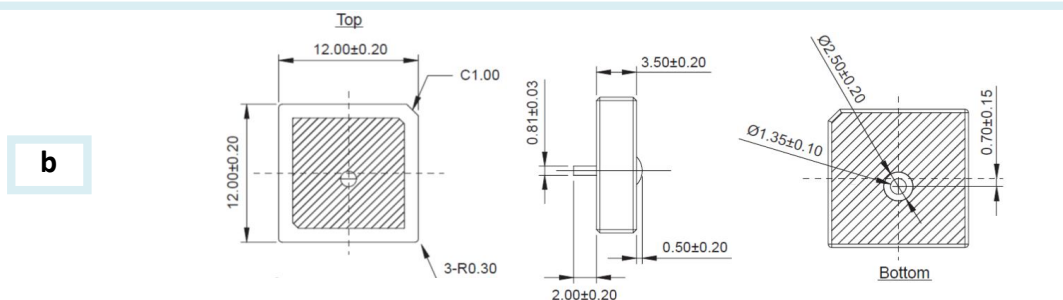
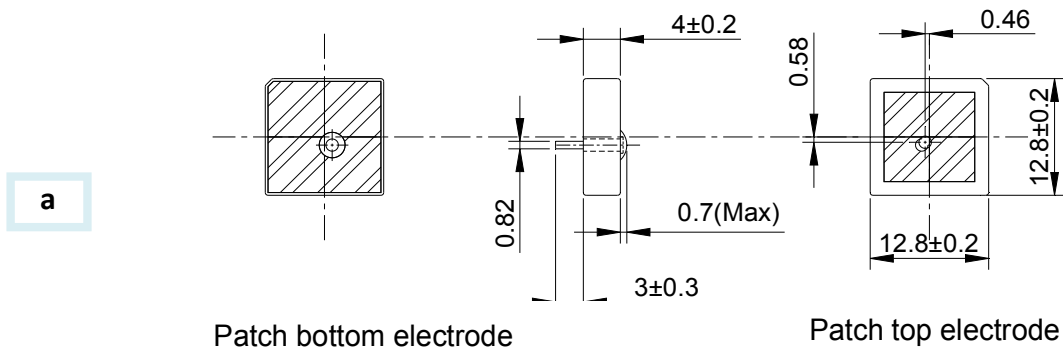
30 mm Square Ground Plane

20 mm Square Ground Plane

Dimension (mm)

a. 12.8 x 12.8 x 4

b. 12 x 12 x 3.5



Product name

PA1575MQ4S-xxx-xxx

Appearance



Specification

| | | | |
|------------------------|---------------------------|-----------|-----------|
| Center Frequency (MHz) | 1575.42 | | |
| Bandwidth (MHz) | 6 Typ. | 6 Typ. | 8 Typ. |
| Gain at Zenith (dBic) | -4 | -8.5 | -9.5 |
| Polarization | R.H.C.P. | | |
| Impedance(Ω) | 50 | | |
| Axial Ratio (dB) | <3 | | |
| Test Condition | 20 mm Square Ground Plane | | |
| Dimension (mm) | 10 x 10 x 4 | 9 x 9 x 4 | 6 x 6 x 4 |

a

b

c

