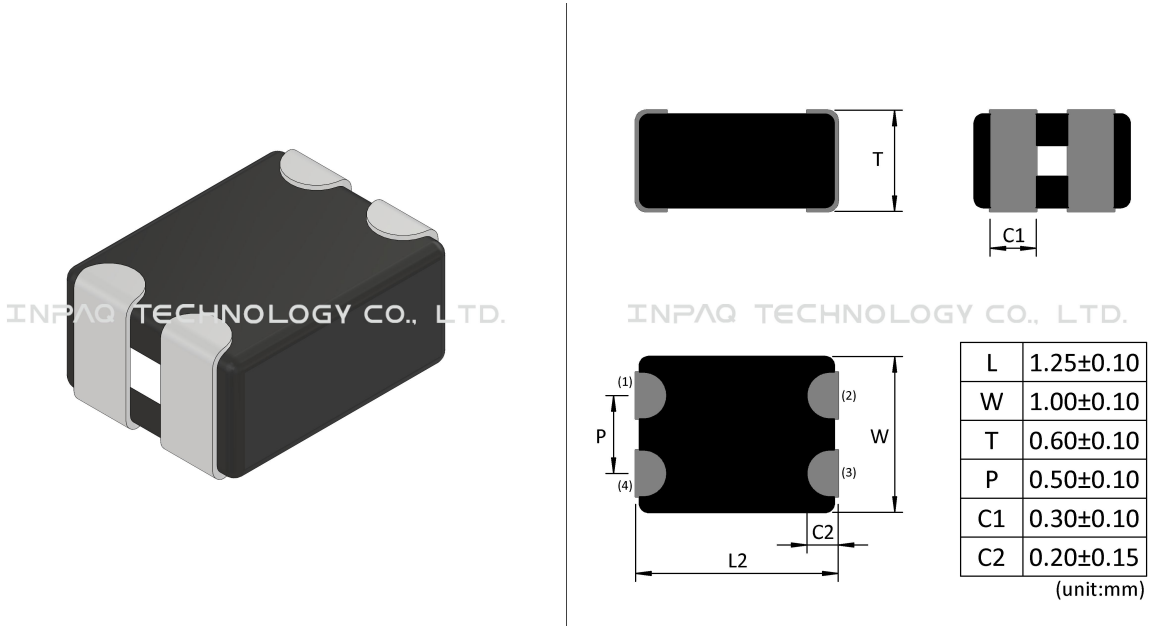


MCM1012W670F06BP



Appearance & Shape



注意 NOTICE: All Specifications are subject to change without notice.

1. 本文件由 INPAQ 佳邦科技網站下載，若規格變更及停產，請於訂購時確認，恕不另行通知。
2. 本文件僅說明參考標準規格，如需訂購，請依實際核准所需規格進行申辦。

Specification

L size(mm)	1.25±0.10
W size(mm)	1.00±0.10
T size(mm)	0.60±0.10
Size codeinch (mm)	0504(1210)
Impedance(Ω)	67
Tolerance(%)	±25
Test Frequency(MHz)	100
DCR(Ω) Max.	0.5
Irms(mA) Max.	300
Rated Voltage(V)	10
Withstand Voltage(V)	25
Insulation Resistance (MΩ) Min.	200
Operating Temperature range(including self-temperature rising) °C	-55~+125

注意 NOTICE: All Specifications are subject to change without notice.

Page 2/4

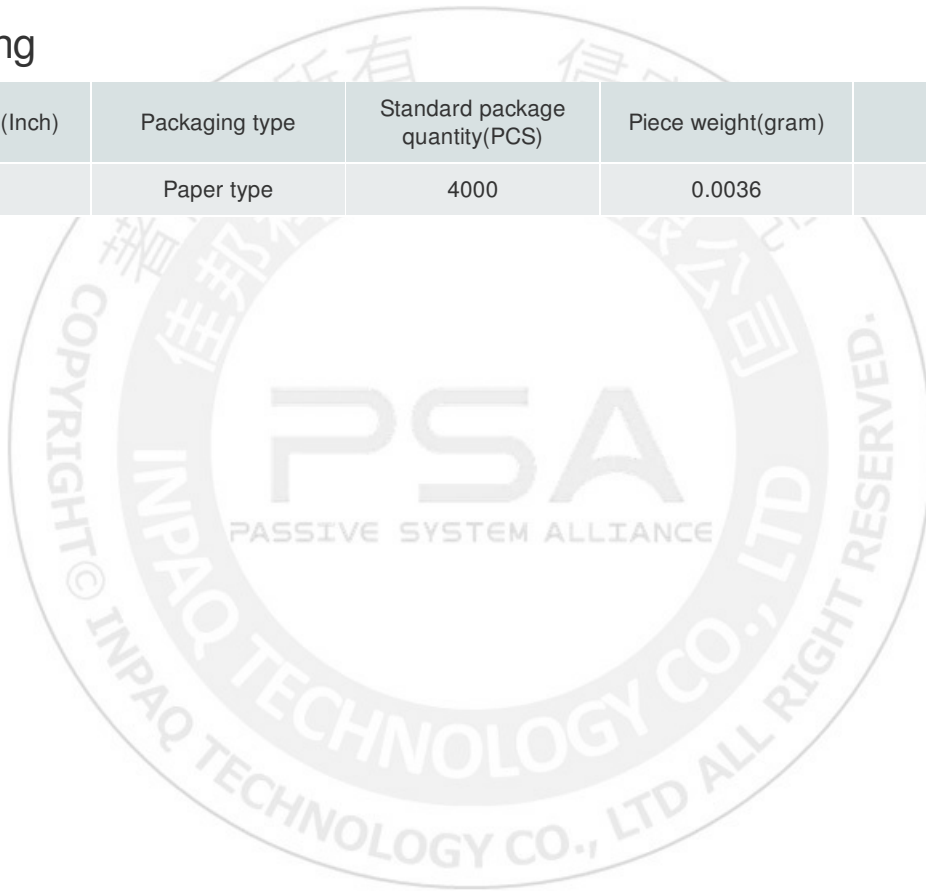
1. 本文件由 INPAQ 佳邦科技網站下載，若規格變更及停產，請於訂購時確認，恕不另行通知。
2. 本文件僅說明參考標準規格，如需訂購，請依實際核准所需規格進行申辦。

Notices

- Powerful components with composite co-fired material to solve EMI problem for high speed differential signal transmission line as USB, and LVDS, without distortion to high speed signal transmission.

Packing

Packing Reel(Inch)	Packaging type	Standard package quantity(PCS)	Piece weight(gram)	MSL Level
7	Paper type	4000	0.0036	1

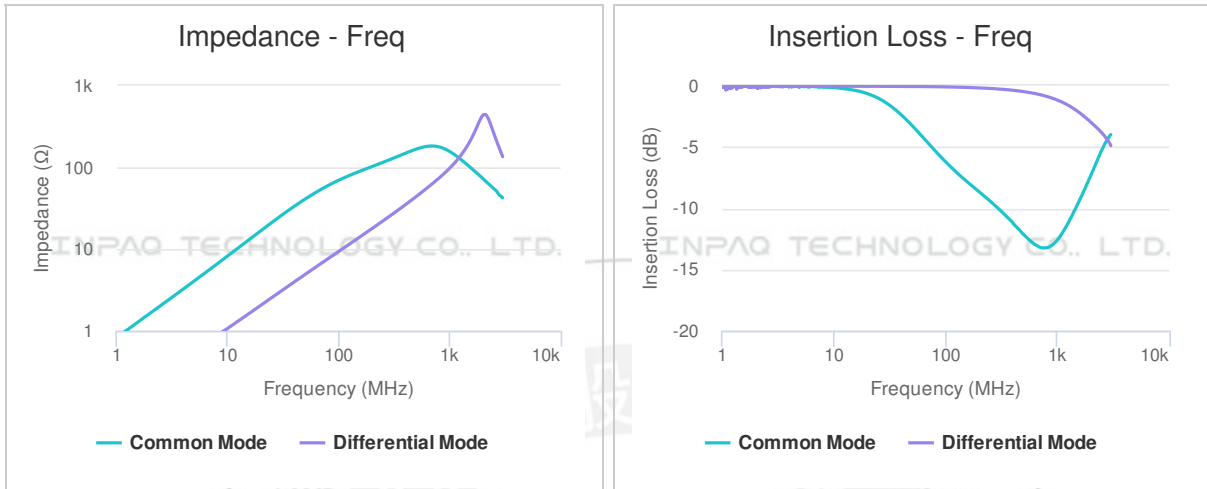


注意 NOTICE: All Specifications are subject to change without notice.

Page 3/4

1. 本文件由 INPAQ 佳邦科技網站下載，若規格變更及停產，請於訂購時確認，恕不另行通知。
2. 本文件僅說明參考標準規格，如需訂購，請依實際核准所需規格進行申辦。

Characteristic curve



注意 NOTICE: All Specifications are subject to change without notice.

1. 本文件由 INPAQ 佳邦科技網站下載，若規格變更及停產，請於訂購時確認，恕不另行通知。
2. 本文件僅說明參考標準規格，如需訂購，請依實際核准所需規格進行申辦。