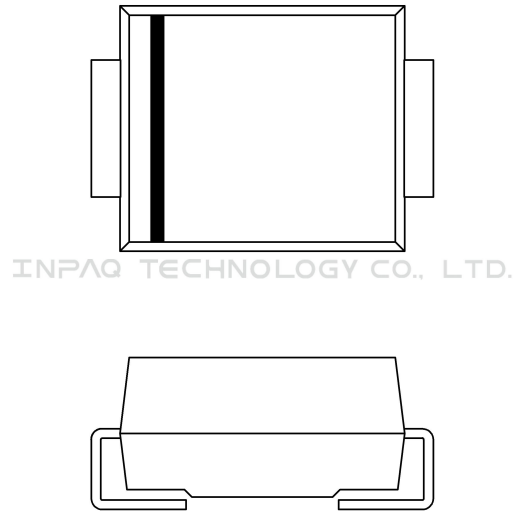
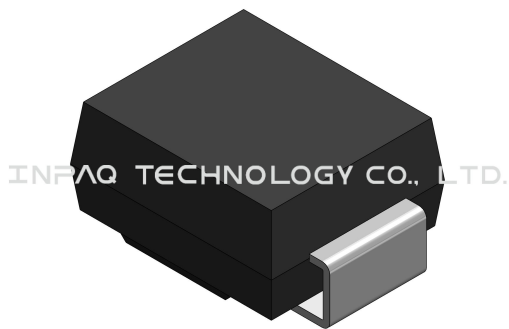


SMAJ6.0CA-T



Appearance & Shape



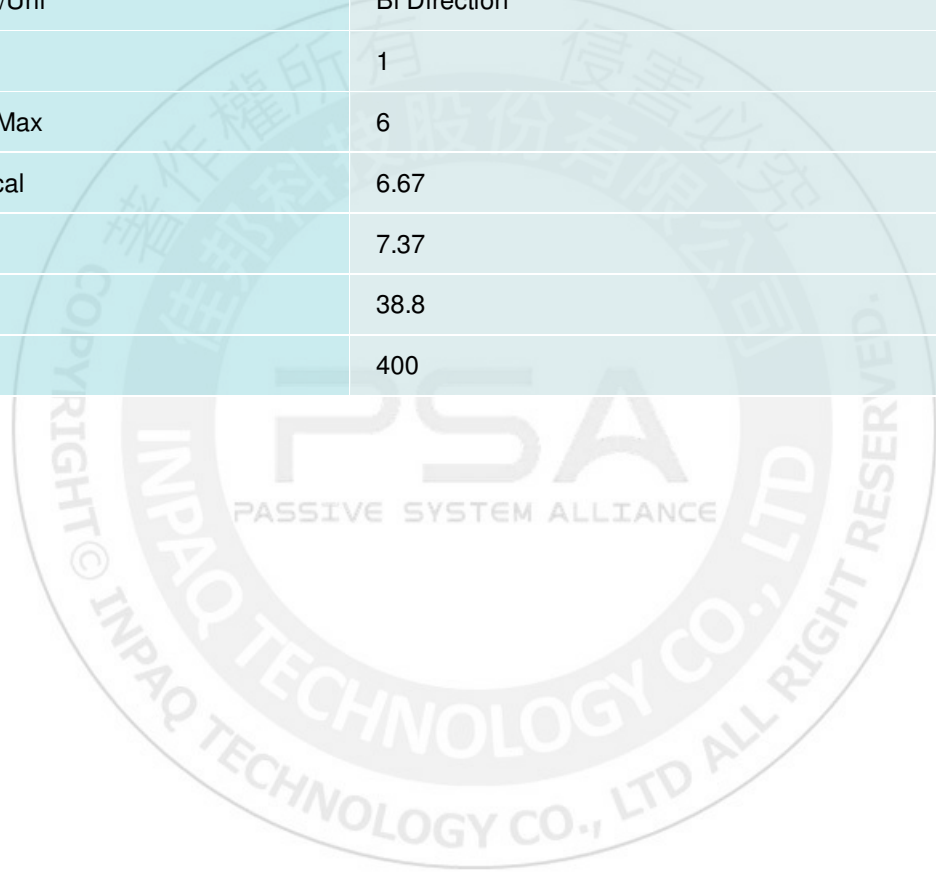
注意 NOTICE: All Specifications are subject to change without notice.

Page 1/3

1. 本文件由 INPAQ 佳邦科技網站下載，若規格變更及停產，請於訂購時確認，恕不另行通知。
2. 本文件僅說明參考標準規格，如需訂購，請依實際核准所需規格進行申辦。

Specification

L size(mm)	5.28
W size(mm)	2.79
T size(mm)	2.29
Size code(Inch (mm))	SMA / DO-214AC
Direction Bi/Uni	Bi Direction
Channel	1
VRWM (V) Max	6
VB(V) Typical	6.67
VB(V) Max	7.37
Ipp (A)	38.8
Ppp (W)	400



注意 NOTICE: All Specifications are subject to change without notice.

Page 2/3

1. 本文件由 INPAQ 佳邦科技網站下載，若規格變更及停產，請於訂購時確認，恕不另行通知。
2. 本文件僅說明參考標準規格，如需訂購，請依實際核准所需規格進行申辦。

Notices

Glass passivated chip junction

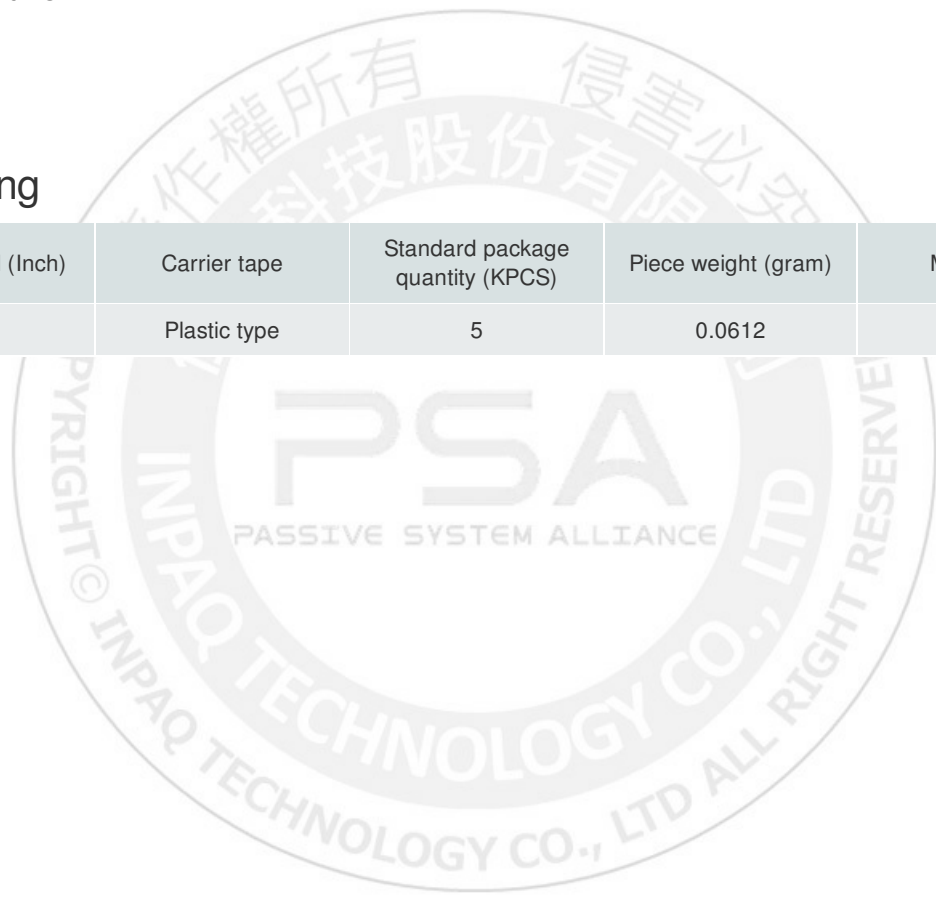
Reliable low cost construction utilizing molded plastic technique

Excellent clamping voltage capability

Fast response time

Packing

Packing Reel (Inch)	Carrier tape	Standard package quantity (KPCS)	Piece weight (gram)	MSL Level
13	Plastic type	5	0.0612	1



注意 NOTICE: All Specifications are subject to change without notice.

Page 3/3

1. 本文件由 INPAQ 佳邦科技網站下載，若規格變更及停產，請於訂購時確認，恕不另行通知。
2. 本文件僅說明參考標準規格，如需訂購，請依實際核准所需規格進行申辦。