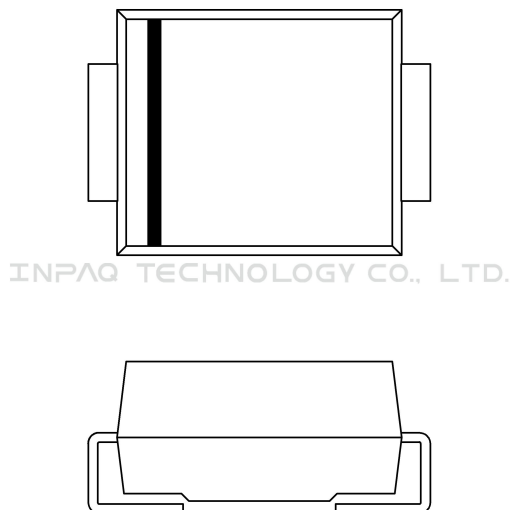
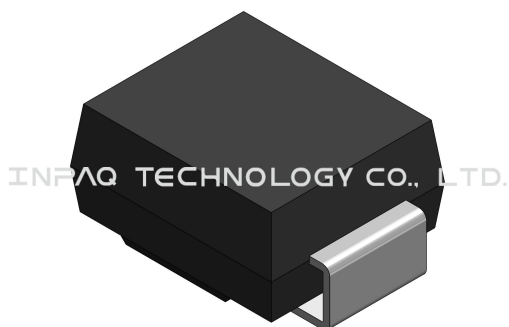


PSMAJ120CA-T



Appearance & Shape



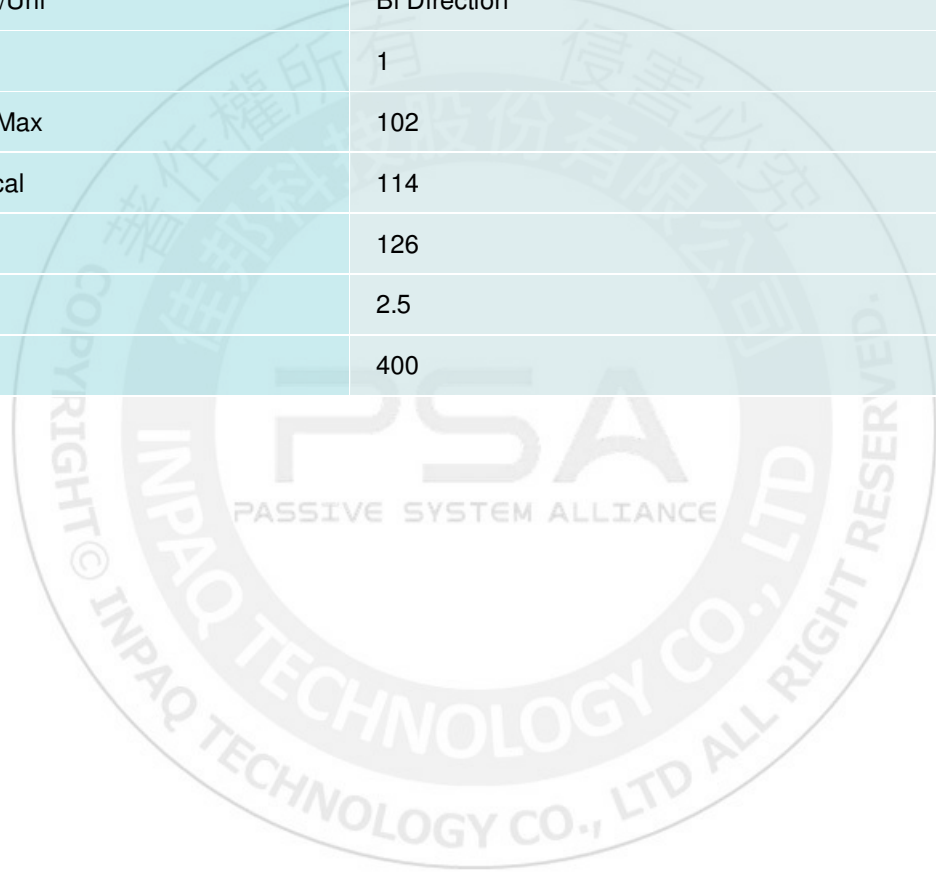
注意 NOTICE: All Specifications are subject to change without notice.

Page 1/3

1. 本文件由 INPAQ 佳邦科技網站下載，若規格變更及停產，請於訂購時確認，恕不另行通知。
2. 本文件僅說明參考標準規格，如需訂購，請依實際核准所需規格進行申辦。

Specification

| | |
|----------------------|----------------|
| L size(mm) | 5.28 |
| W size(mm) | 2.79 |
| T size(mm) | 2.29 |
| Size code(Inch (mm)) | SMA / DO-214AC |
| Direction Bi/Uni | Bi Direction |
| Channel | 1 |
| VRWM (V) Max | 102 |
| VB(V) Typical | 114 |
| VB(V) Max | 126 |
| Ipp (A) | 2.5 |
| Ppp (W) | 400 |



注意 NOTICE: All Specifications are subject to change without notice.

Page 2/3

1. 本文件由 INPAQ 佳邦科技網站下載，若規格變更及停產，請於訂購時確認，恕不另行通知。
2. 本文件僅說明參考標準規格，如需訂購，請依實際核准所需規格進行申辦。

Notices

Glass passivated chip junction

Reliable low cost construction utilizing molded plastic technique

Excellent clamping voltage capability

Fast response time

Packing

| Packing Reel (Inch) | Carrier tape | Standard package quantity (KPCS) | Piece weight (gram) | MSL Level |
|---------------------|--------------|----------------------------------|---------------------|-----------|
| 13 | Plastic type | 5 | 0.0612 | 1 |

注意 NOTICE: All Specifications are subject to change without notice.

Page 3/3

1. 本文件由 INPAQ 佳邦科技網站下載，若規格變更及停產，請於訂購時確認，恕不另行通知。
2. 本文件僅說明參考標準規格，如需訂購，請依實際核准所需規格進行申辦。