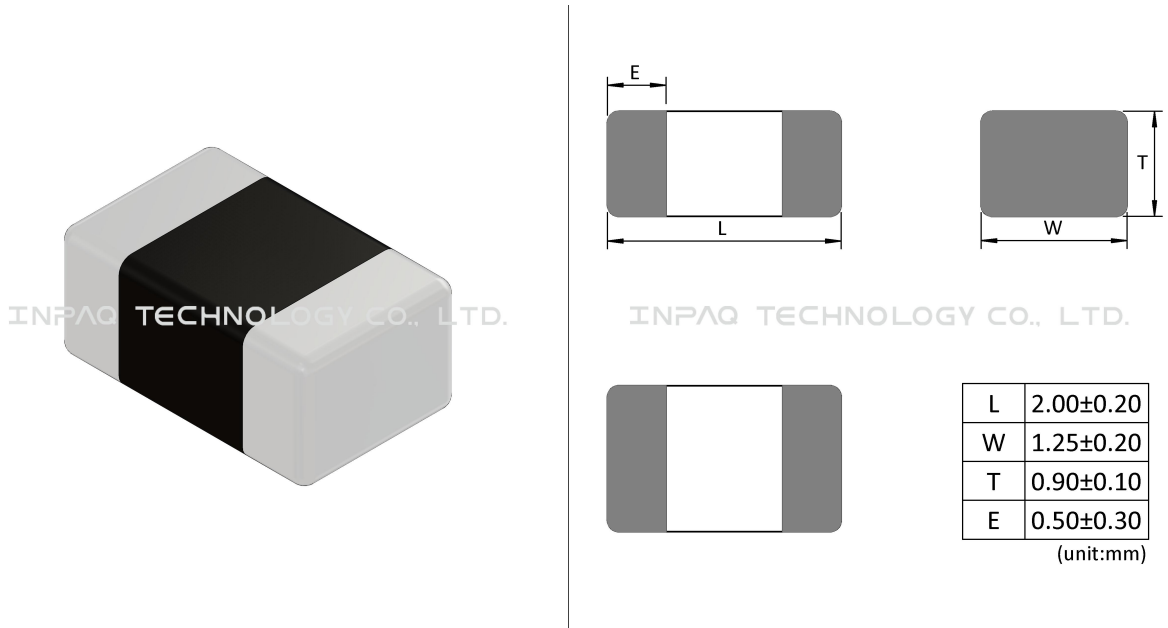


MIP20123R3MBE



Appearance & Shape



L	2.00±0.20
W	1.25±0.20
T	0.90±0.10
E	0.50±0.30

(unit:mm)



注意 NOTICE: All Specifications are subject to change without notice.

Page 1/4

1. 本文件由 INPAQ 佳邦科技網站下載，若規格變更及停產，請於訂購時確認，恕不另行通知。
2. 本文件僅說明參考標準規格，如需訂購，請依實際核准所需規格進行申辦。

Specification

L size(mm)	2.0±0.20
W size(mm)	1.25±0.20
T size(mm)	0.9±0.10
Size code Inch(mm)	0805(2012)
Inductance(uH)	3.3
Tolerance(%)	±20
Test Frequency(MHz)	1
DCR(Ω)	0.2
Tolerance(%)	±25
SRF(MHz)Min.	50
Irms(mA)Max.	800
Operating Temperature range(including self-temperature rising) °C	-40~+85

注意 NOTICE: All Specifications are subject to change without notice.

Page 2/4

1. 本文件由 INPAQ 佳邦科技網站下載，若規格變更及停產，請於訂購時確認，恕不另行通知。
2. 本文件僅說明參考標準規格，如需訂購，請依實際核准所需規格進行申辦。

Notices

- The monolithic construction performs high reliability and ensures a closed magnetic flux in a component avoids magnetic leakage and interference .
- Allow for higher mounting density.
- Low DC resistance.

Packing

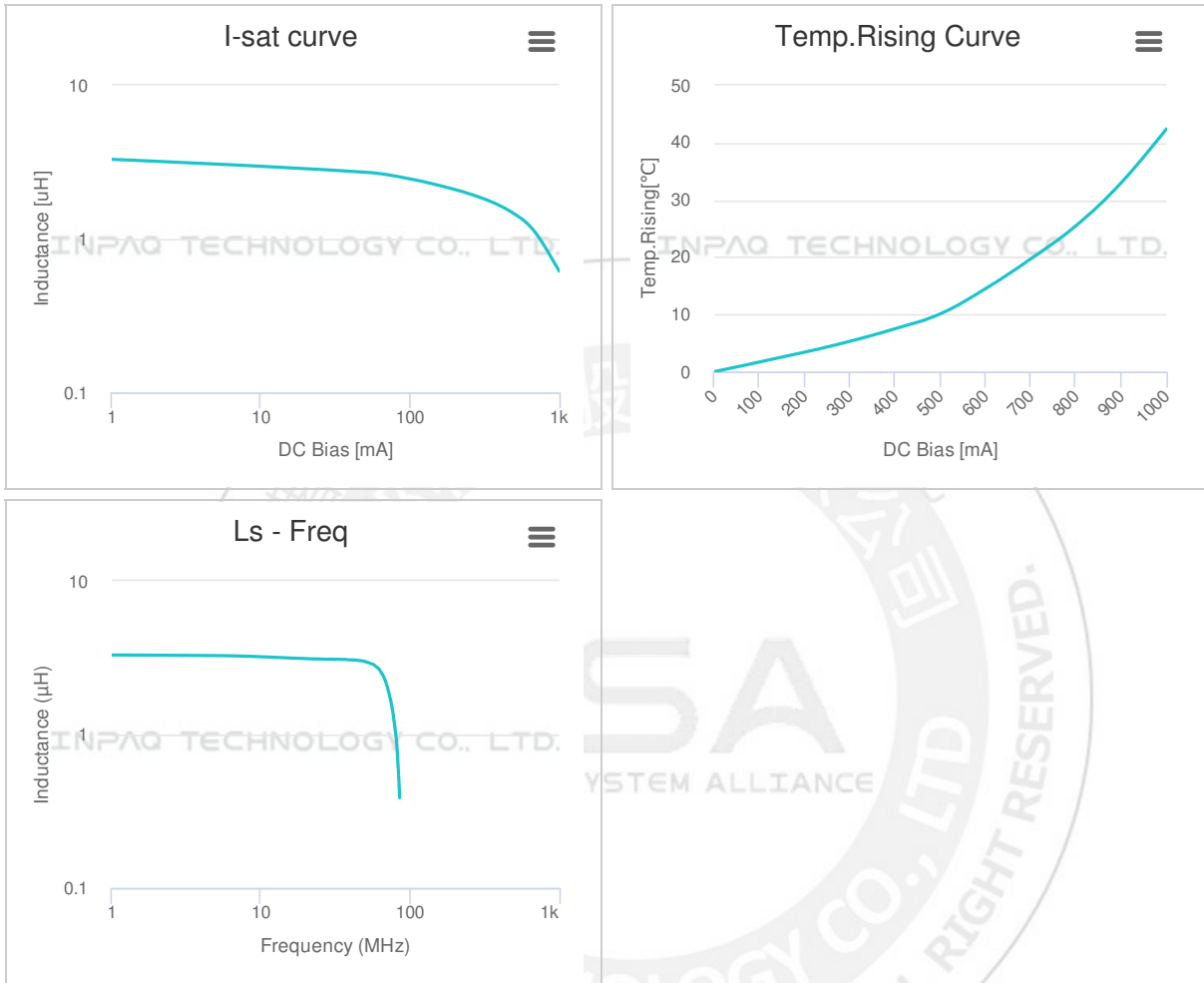
Packing Reel(Inch)	Packaging type	Standard package quantity(PCS)	Piece weight(gram)	MSL Level
7	Plastic type	3000	0.013	1

注意 NOTICE: All Specifications are subject to change without notice.

1. 本文件由 INPAQ 佳邦科技網站下載，若規格變更及停產，請於訂購時確認，恕不另行通知。
2. 本文件僅說明參考標準規格，如需訂購，請依實際核准所需規格進行申辦。

Page 3/4

Characteristic curve



注意 NOTICE: All Specifications are subject to change without notice.

Page 4/4

1. 本文件由 INPAQ 佳邦科技網站下載，若規格變更及停產，請於訂購時確認，恕不另行通知。
2. 本文件僅說明參考標準規格，如需訂購，請依實際核准所需規格進行申辦。