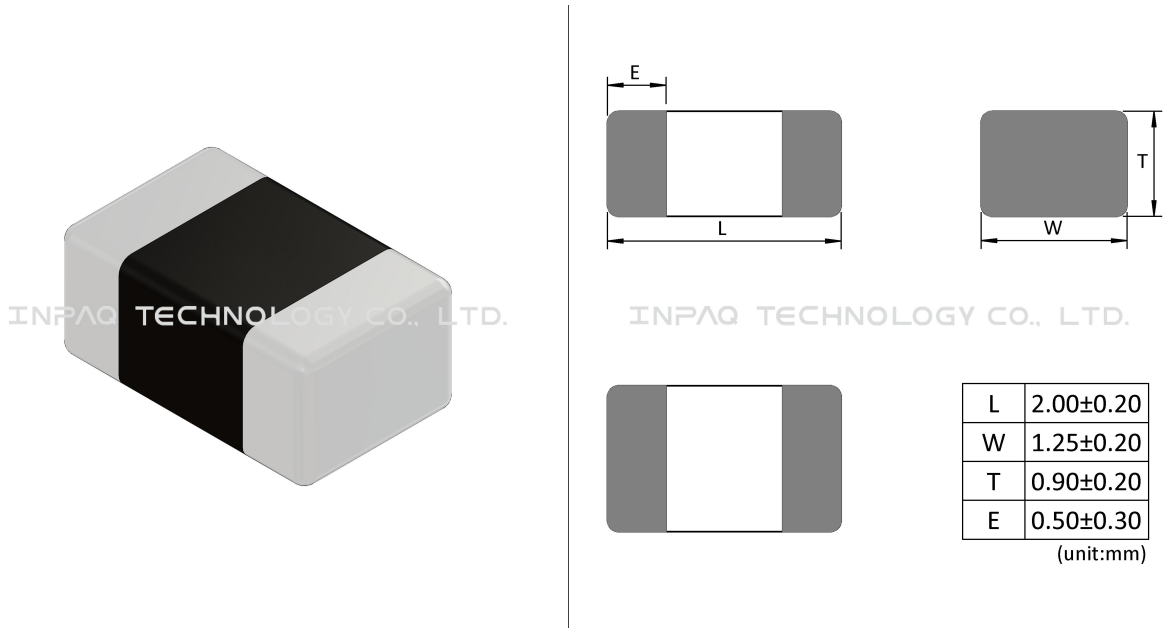


MCB2012S202HZP



Appearance & Shape



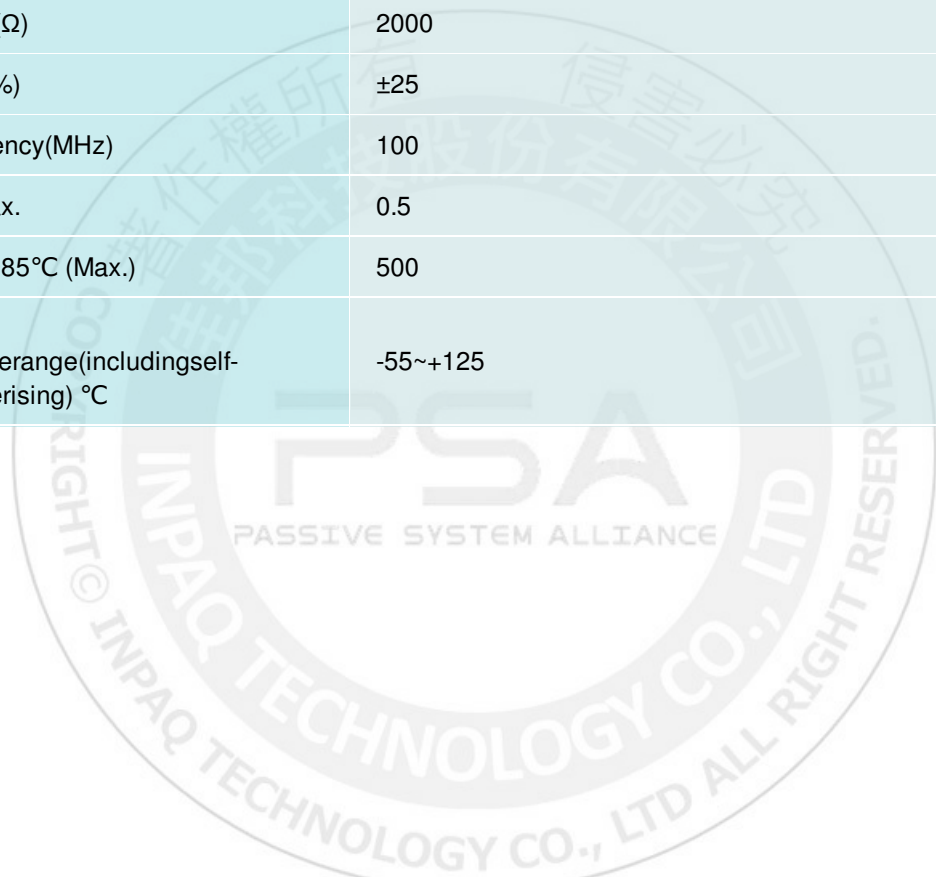
注意 NOTICE: All Specifications are subject to change without notice.

Page 1/4

1. 本文件由 INPAQ 佳邦科技網站下載，若規格變更及停產，請於訂購時確認，恕不另行通知。
2. 本文件僅說明參考標準規格，如需訂購，請依實際核准所需規格進行申辦。

Specification

L size(mm)	2.0±0.20
W size(mm)	1.25±0.20
T size(mm)	0.9±0.20
Size code Inch(mm)	0805(2012)
Impedance(Ω)	2000
Tolerance(%)	±25
Test Frequency(MHz)	100
DCR(Ω) Max.	0.5
I _{rms} (mA) @85°C (Max.)	500
Operating Temperature range(including self-temperature rising) °C	-55~+125



注意 NOTICE: All Specifications are subject to change without notice.

Page 2/4

1. 本文件由 INPAQ 佳邦科技網站下載，若規格變更及停產，請於訂購時確認，恕不另行通知。
2. 本文件僅說明參考標準規格，如需訂購，請依實際核准所需規格進行申辦。

Notices

- Monolithic inorganic material construction
- Closed magnetic circuit avoids crosstalk
- SMD Type & suitable for reflow and wave soldering
- Available in various sizes
- Excellent solderability and heat resistance
- High reliability
- Effectively filtering capability over a wide range of frequency
- Compliant with AEC Q200

Packing

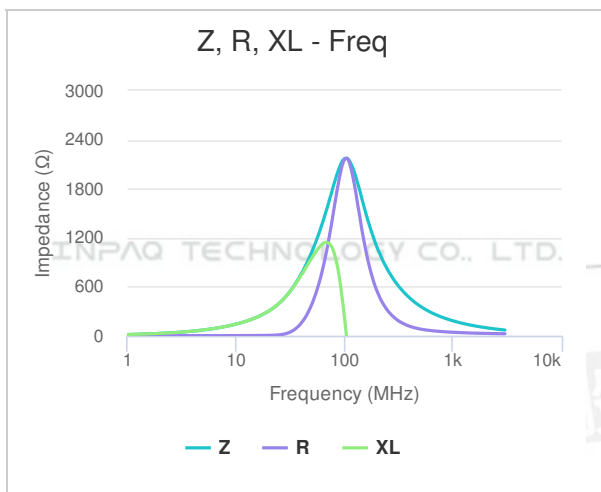
Packing Reel(Inch)	Packaging type	Standard package quantity(PCS)	Piece weight(gram)	MSL Level
7	Paper type	4000	0.0086	1

注意 NOTICE: All Specifications are subject to change without notice.

Page 3/4

1. 本文件由 INPAQ 佳邦科技網站下載，若規格變更及停產，請於訂購時確認，恕不另行通知。
2. 本文件僅說明參考標準規格，如需訂購，請依實際核准所需規格進行申辦。

Characteristic curve



注意 NOTICE: All Specifications are subject to change without notice.

Page 4/4

1. 本文件由 INPAQ 佳邦科技網站下載，若規格變更及停產，請於訂購時確認，恕不另行通知。
2. 本文件僅說明參考標準規格，如需訂購，請依實際核准所需規格進行申辦。