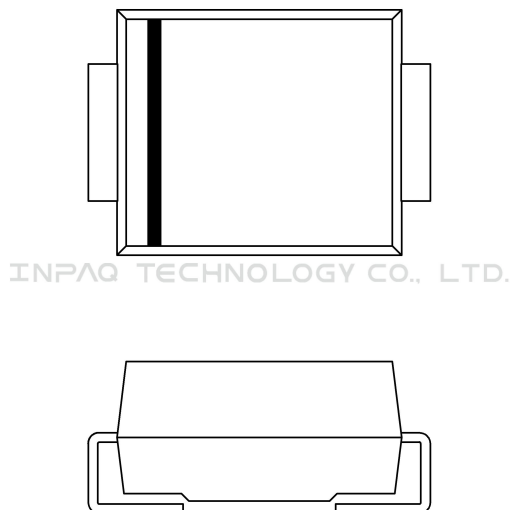
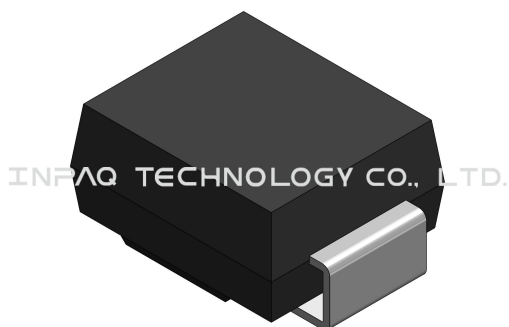


# SMBJ51CA-AM



## Appearance & Shape



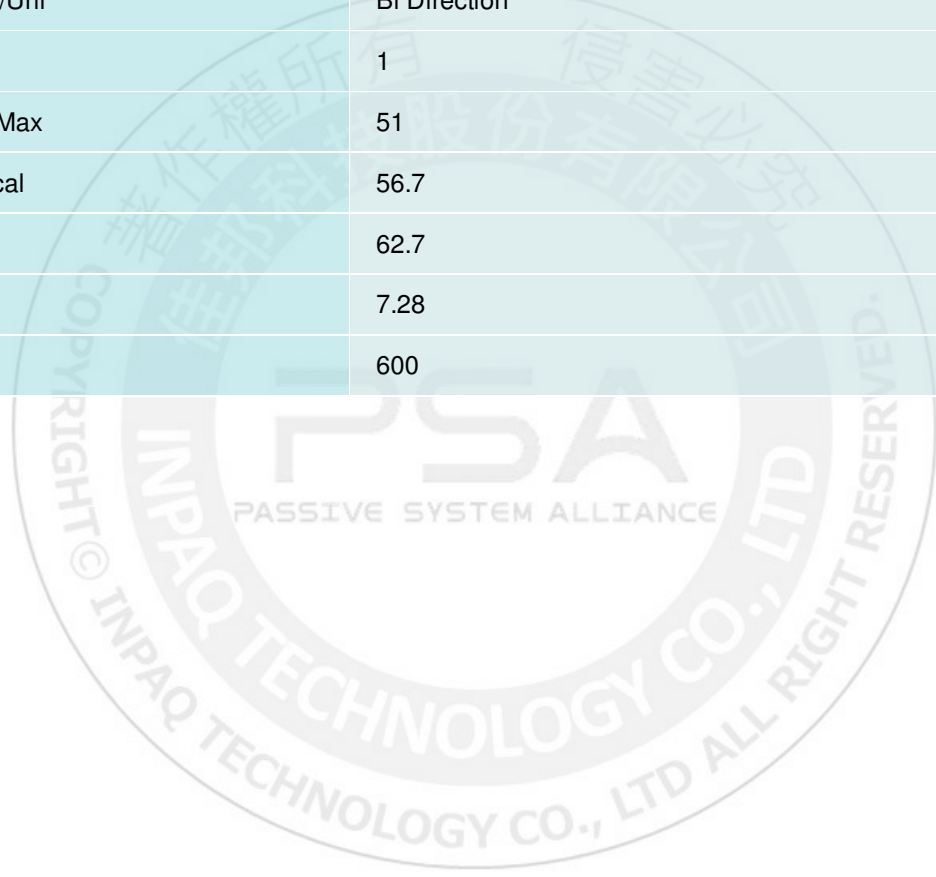
注意 NOTICE: All Specifications are subject to change without notice.

Page 1/3

1. 本文件由 INPAQ 佳邦科技網站下載，若規格變更及停產，請於訂購時確認，恕不另行通知。
2. 本文件僅說明參考標準規格，如需訂購，請依實際核准所需規格進行申辦。

## Specification

L size(mm)	5.5
W size(mm)	3.75
T size(mm)	2.44
Size code(Inch (mm))	SMB / DO-214AA
Direction Bi/Uni	Bi Direction
Channel	1
VRWM (V) Max	51
VB(V) Typical	56.7
VB(V) Max	62.7
Ipp (A)	7.28
Ppp (W)	600



注意 NOTICE: All Specifications are subject to change without notice.

Page 2/3

1. 本文件由 INPAQ 佳邦科技網站下載，若規格變更及停產，請於訂購時確認，恕不另行通知。
2. 本文件僅說明參考標準規格，如需訂購，請依實際核准所需規格進行申辦。

## Notices

Glass passivated chip junction

Reliable low cost construction utilizing molded plastic technique

Excellent clamping voltage capability

Fast response time

## Packing

Packing Reel (Inch)	Carrier tape	Standard package quantity (KPCS)	Piece weight (gram)	MSL Level
13	Plastic type	3	0.1018	1

注意 NOTICE: All Specifications are subject to change without notice.

1. 本文件由 INPAQ 佳邦科技網站下載，若規格變更及停產，請於訂購時確認，恕不另行通知。
2. 本文件僅說明參考標準規格，如需訂購，請依實際核准所需規格進行申辦。

Page 3/3