

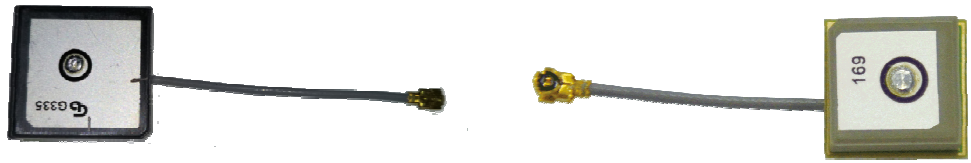
Active Antenna

Specification

Type	GNSS
Part No	GPSH237N-N3-37-A
	GPS391N-S3-00-A
	GPSH212N-N3-13-A
	GPSH312N-N3-04-A
	GPSH245N-N3-07-A
	GPSH198N-N3-39-A
	GPSH208N-N3-37-A
	GPS396N-S3-00-A

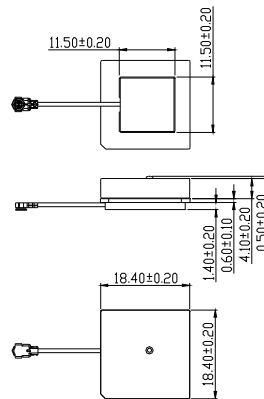
Product name	GPSH237N-N3-37-A (GPS)	GPS391N-S3-00-A (Patch Circular)
--------------	---------------------------	-------------------------------------

Appearance

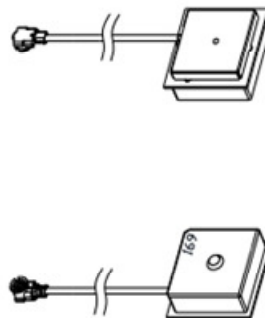


Specification		
Center Frequency (MHz)	1575.42 ± 2	1575.42±1.5
Gain (dB)	23 typ	19±3
Noise Figure (dB)	1.5 typ	1.5 typ.(at 3.0±0.1V)
Output V.S.W.R	2.0 max	2.0 typ.
Operation Voltage (V)	3.0 ± 0.1	3.0±0.6
Current (mA)	4.5 ± 1.5(DC=3.0V)	4.0±1.5
Dimension (mm)	a.18.4*18.4*6.6	b.13.4 x 13.4 x 5.6

a



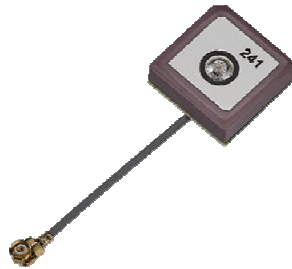
b



Product name

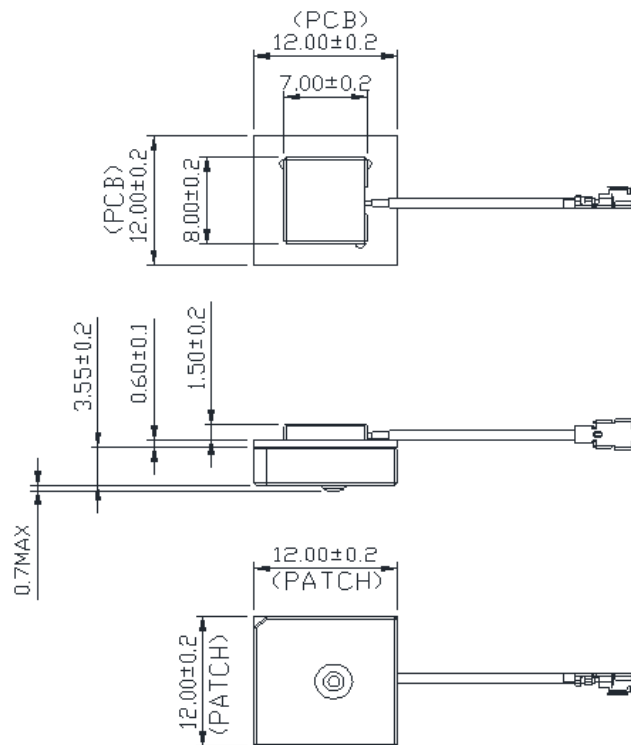
GPSH212N-N3-13-A

Appearance



Specification

Center Frequency (MHz)	1575.42±2 MHz
Gain (dB)	21±3dB (DC=3.0V)
Noise Figure (dB)	1.5 dB typ (DC=3.0V)
Output V.S.W.R	2.0 max (DC=3.0V)
Operation Voltage (V)	3.0 ±0.1V
Current (mA)	4.5 ± 2mA
Dimension (mm)	12*12*6.35



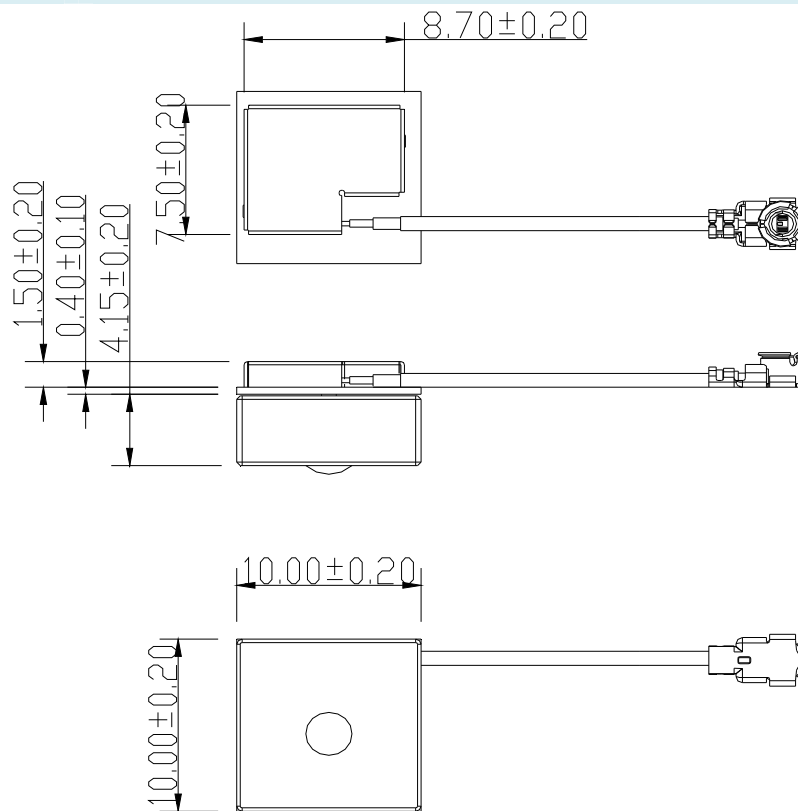
Product name **GPSH312N-N3-04-A**
(GPS)

Appearance



Specification

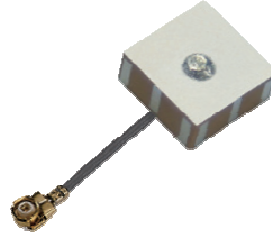
Center Frequency (MHz)	1575.42 ± 2 MHz
Gain (dB)	20 typ
Noise Figure (dB)	1.5 typ (DC=3.0V)
Output V.S.W.R	2.0 max (DC=3.0V)
Voltage (V)	3.0 ± 0.1
Current (mA)	4.5 ± 1.5 (DC=3.0V)
Dimension (mm)	10.0*10.0*6.55



Product name

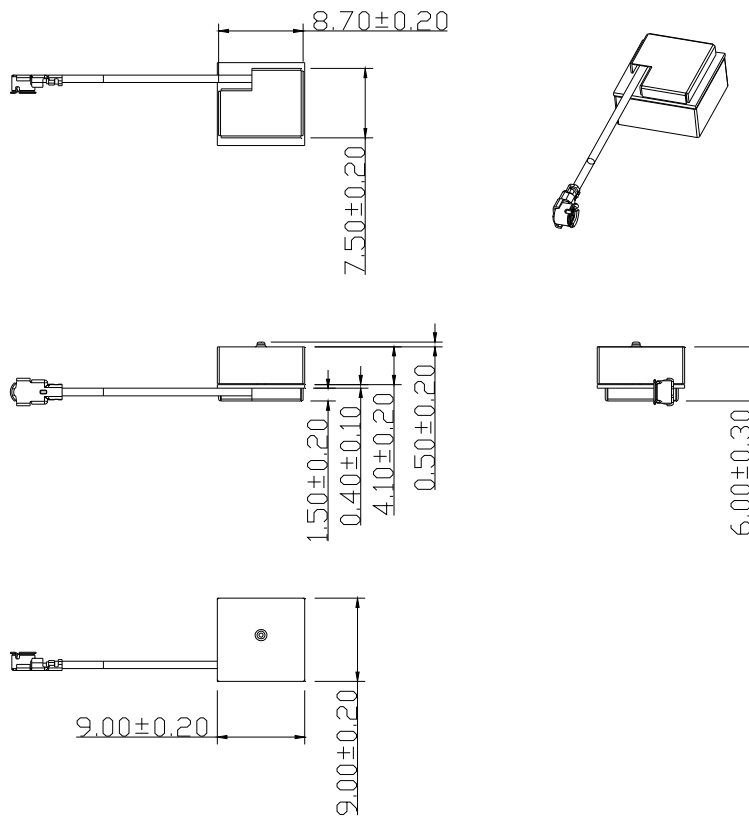
GPSH245N-N3-07-A
(GPS)

Appearance



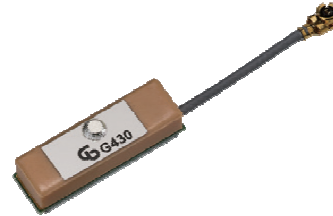
Specification

Center Frequency (MHz)	1575.42±2 MHz
Gain (dB)	18.5 typ
Noise Figure (dB)	1.5 typ (DC=3.0V)
Output V.S.W.R	2.0 max (DC=3.0V)
Voltage (V)	3.0±0.1
Current (mA)	3.5±1 (DC=3.0V)
Dimension (mm)	9.0*9.0*6.5

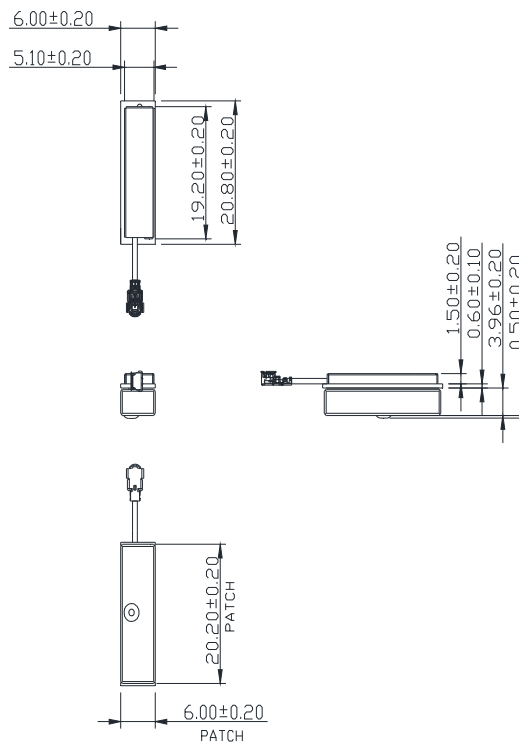


Product name	GPSH198N-N3-39-A (Patch Linear)
---------------------	--------------------------------------------

Appearance

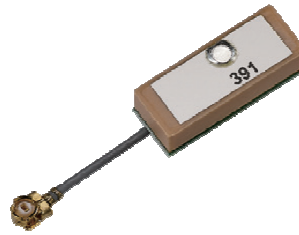


Specification	
Center Frequency (MHz)	1575.42±2MHz
Gain (dB)	21.5 typ
Noise Figure (dB)	1.5 typ
Output V.S.W.R	2.0 max
Voltage (V)	3.0±0.1
Current (mA)	4.5 ± 1.5(DC=3.0V)
Dimension (mm)	20.2*6.0*6.55



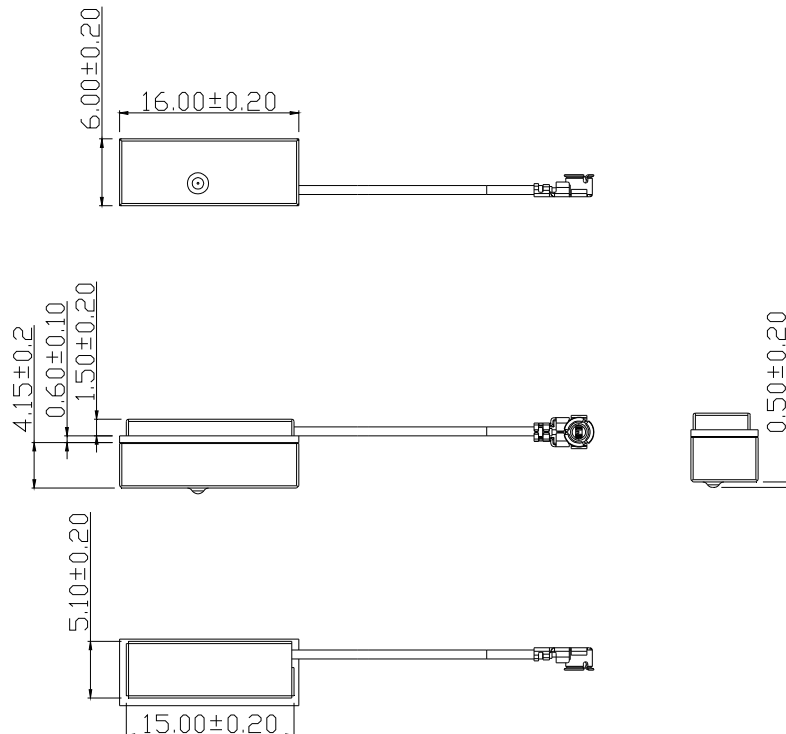
Product name **GPSH208N-N3-37-A**
(Patch Linear)

Appearance



Specification

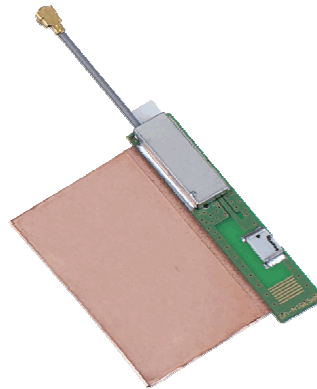
Center Frequency (MHz)	1575.42 ± 2
Gain (dB)	20 typ
Noise Figure (dB)	1.5 typ
Output V.S.W.R	2.0 max
Voltage (V)	3.0 ± 0.1
Current (mA)	4.5 ± 1.5 (DC=3.0V)
Dimension (mm)	16.0*6.0*6.75



Product name

GPS396N-S3-00-A

Appearance



Specification

Center Frequency (MHz)	1575.42±1.023
Gain (dB)	18.5±3.0
Noise Figure (dB)	2 typ.
Output V.S.W.R	2.0 max.
Voltage (V)	3.0±0.3
Current (mA)	4.0±1.5
Dimension (mm)	37.0 x 8.0 x 2.5

