

◆ Feature

1. Protection against ESD voltages and currents (IEC61000-4-2 Level 4)
2. Extremely quick response time (<1ns) present ideal ESD protection
3. Extremely low capacitance (0.1pF typical)
4. Extremely low leakage current
5. SMD (Surface Mount Device)
6. Zero signal distortion




◆ Application

1. TVU1240R1A is applied to high speed signal interface, including Antenna circuit, USB2.0, IEEE-1394, DVI HDMI
2. Suitable for Digital Video Equipment Mobile Phone, GPS Antenna, Bluetooth Communication Equipment.

◆ How to Order

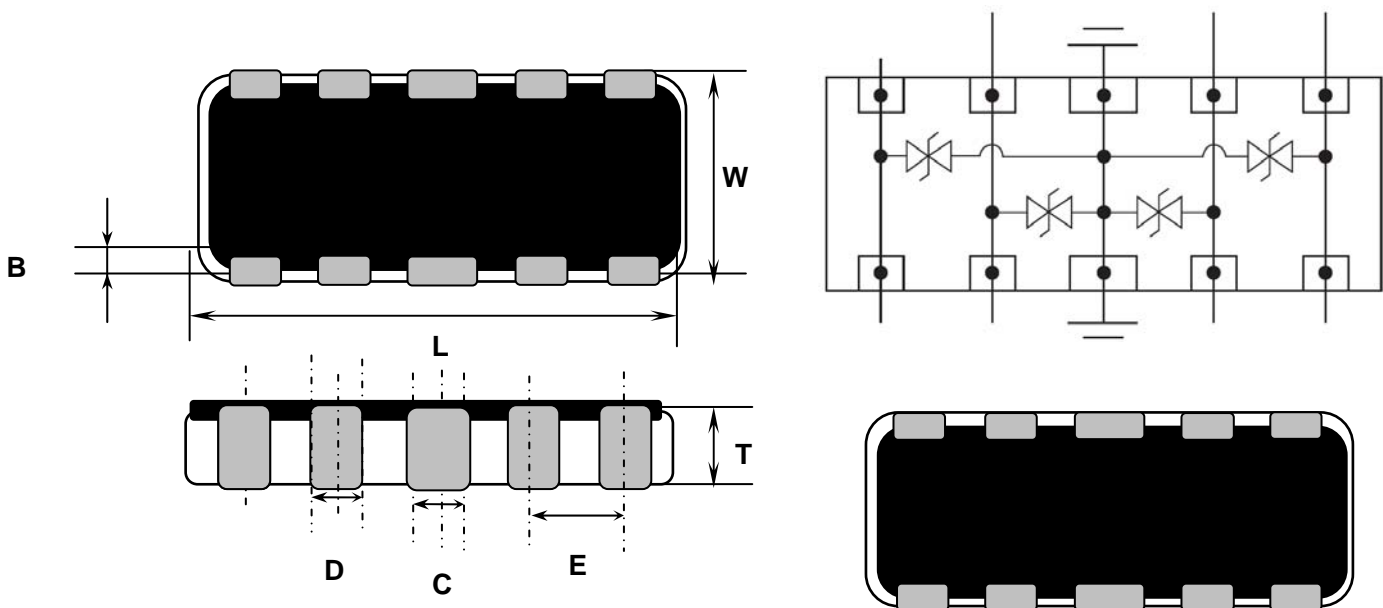
TVU 12 4 0R1 A
 (1) (2) (3) (4) (5)

- (1) TVU: Ultra Capacitance
- (2) Working Voltage: V_{DC} 12V
- (3) Channel: 4 channels
- (4) Capacitance: 0.1pF
- (5) Chip Size: L:2.5mm W:1.0mm

◆ Dimension

Unit: mm

Size EIA (EIAJ)	1004 (2510)
L	2.5±0.1
W	1.0±0.1
T	0.5±0.1
B	0.2±0.1
C	0.3±0.05
D	0.2±0.05
E	0.5±0.05



◆ Specification

Characteristics	TVU1240R1A (NEW)
Rated voltage (max.)	12V
Leakage current (max) (@12VDC)	0.01μA
Trigger voltage (Vt)	300V typ.
Clamping voltage (Vc)	30V typ.
Capacitance (Cp), @1MHz	0.1pF typ.
Response time	<1ns
ESD voltage capability, IEC 61000-4-2 Contact discharge mode	8KV
ESD voltage capability, IEC 61000-4-2 Air discharge mode	15KV
ESD withstand pulses	100 typ.

◆ General Technical Data

Operating Temperature	-40 ~ +85°C
Storage Temperature (on board)	-55 ~ +125
Response Time	<1 ns
Solderability	245±5°C, 3±1sec.

◆ Environmental Performance

Item	Specifications	Test Condition
Bias Humidity	$I_L \leq 10 \mu A$	90%RH, 40°C, Rated Voltage, 1000 hrs
Thermal Shock		-40°C to 85°C, 30 min. cycle, 5 cycles
Full Load Voltage		Rated Voltage, 85°C, 1000 hrs
Solder Leach Resistance		260±5°C, 10±1 sec.

I_L – Leakage current at rated voltage, the maximum leakage current was measured after reliability test.

◆ Package

Size EIA (EIAJ)	1004 (2510)
Standard Packing Quantity (pcs / reel)	5,000